

Speaker

Model: OSS10-64-19A1.0W8-T



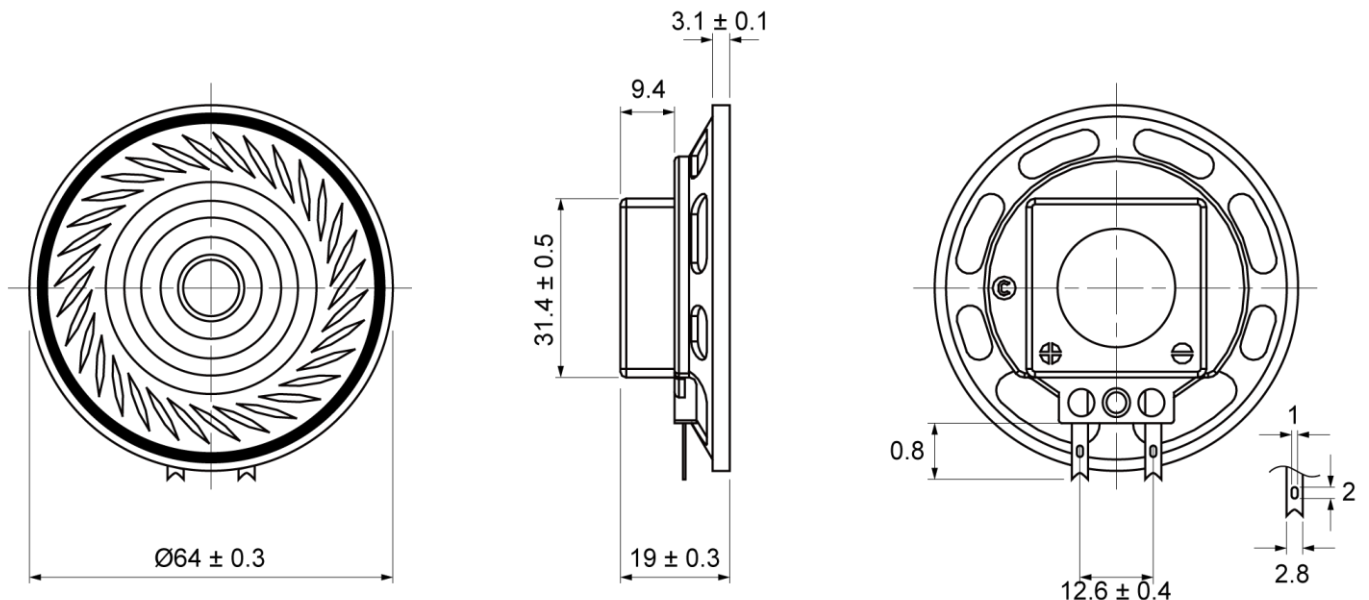
ELECTRICAL SPECIFICATIONS

	Condition	Parameter	Unit
Sound Pressure Level	at 1W, 1M [at 0.8, 1.0, 1.2, 1.5KHz]	86 ± 3	dB
Impedance	at 1V, 1000Hz	8 ± 15%	Ω
Rated Input Power		1	W
Max Input Power		2	W
Resonant Frequency (Fo)	at 1V	400 ± 20%	Hz
Frequency Range		F0 ~ 10000	Hz
Buzzer & Rattles	not be audible at sine wave between F0 ~ 10KHz	2.82	V
Operating Temperature		-20 ~ 60	°C
Magnet		Ferrite	
Frame Material		ABS	
Cone Material		Mylar (PET)	
Weight		49	g

MECHANICAL DRAWING

Dimensions in mm

Tolerance ±0.5mm Except Specified



Speaker

Model: OSS10-64-19A1.0W8-T

FREQUENCY RESPONSE CURVE

